



PATENTSERVIS Praha a.s.  
 Jivenská 1273/1, 140 21 Praha 4  
 Česká Republika  
 Tel.: +420 261 090 011  
 Fax: +420 261 214 921  
 E-mail: patmag@patentservis.com

Obchodní rejstřík MS v Praze:  
 11.2.1992, oddíl B, vložka 1336  
 Rejstřík KPZ ČR reg. č.: 2502  
 Společnost patentových zástupců  
 IČ: 45314411 DIČ: CZ45314411  
 VAT: CZ45314411

Poštovní adresa:  
 P.O.Box 34  
 140 21 Praha 4  
 Mailing Address:  
 P.O.Box 34  
 140 21 Praha 4

RACE BIKE s.r.o.

Jezdkovice 32  
 747 55 Litultovice

Prague, May 4, 2006

Our ref.: VV/T11660CZ105

Re: Patent Application

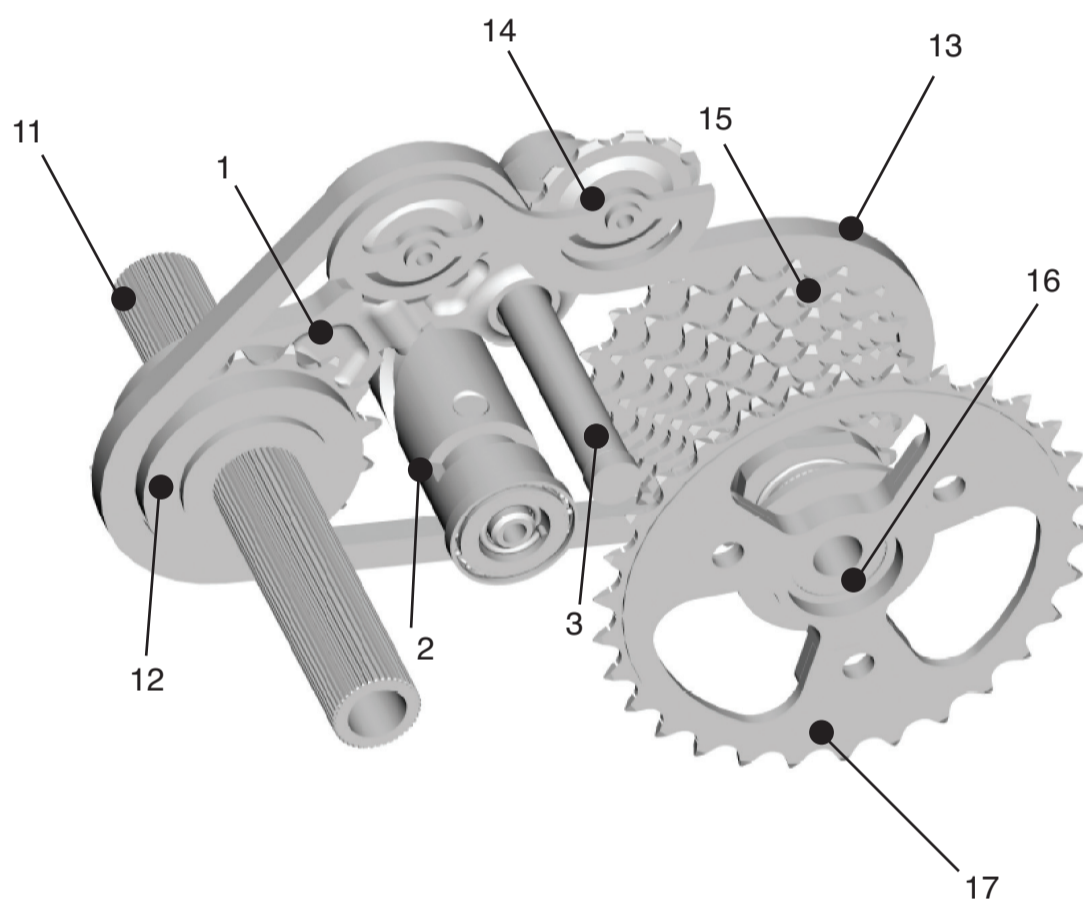
**SHIFTING GEARS MECHANISM** in the name of RACE BIKE s.r.o.

Dear Sirs,

We are pleased to inform you that based on your order the above Application was duly filed in the Czech Republic on April 21, 2006 and obtained No. PV 2006-256.

Yours faithfully,

PATENTSERVIS



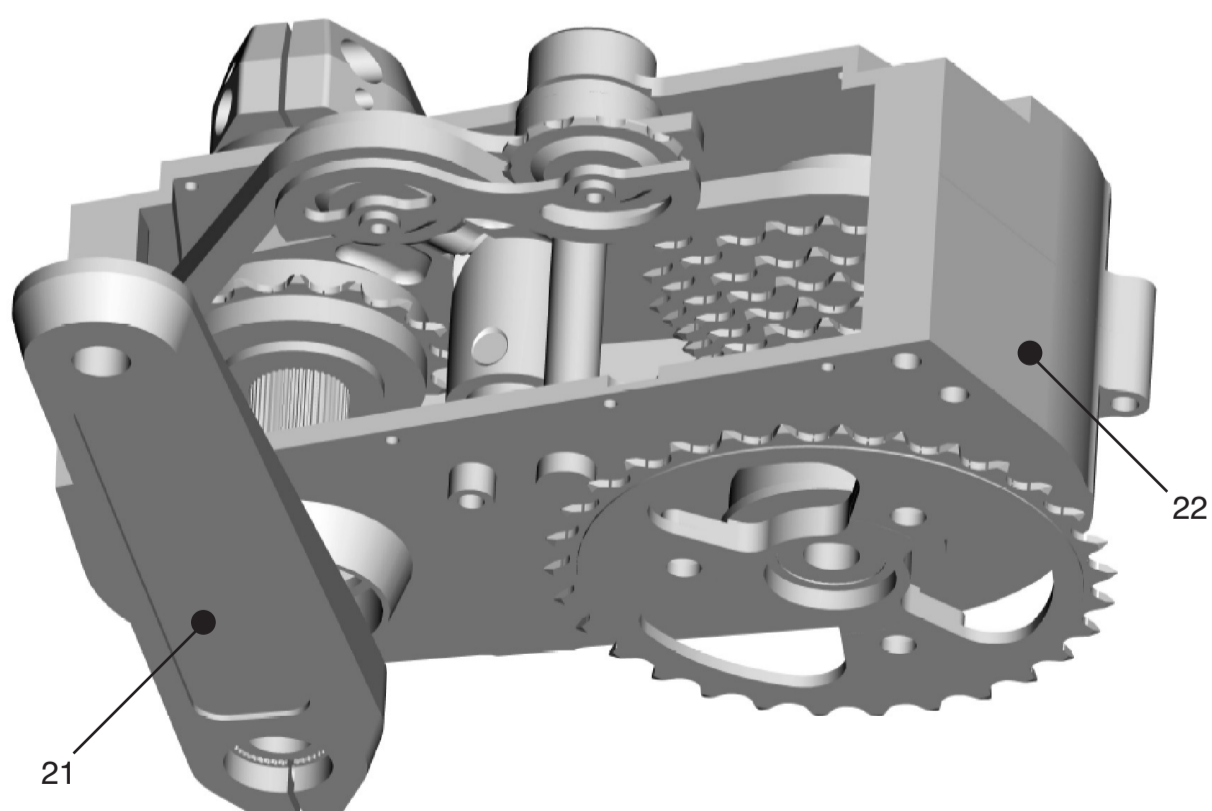
#### Description of the drive

Power of the driver is transmitted through the use of cranks (21) to a shaft (11). On the shaft is in a sliding way mounted free-running pinion (12) by which is by force of a chain (13) over tension pulley (14) drive a group of pinions (15). Pinions (15) are firmly linked to the shaft (16) at which is mounted driving gear of the secondary gear (17).

Whole system is positioned in the case (21), which is consequently firmly connected with the bicycle frame.

#### Description of function of change gears

Due to rotation of shifting roller (2) a shift fork (1) move over and thereby the chain moves on other pinion from the group of pinions (15), at the same time the free-running pinion (12) shift too. Rotation of the shifting roller ensure in one direction a cable and in the opposite direction a torsion spring.



Banka: HVB Bank Czech Republic a.s.  
 účet č.: 20130099/2700

Bank: HVB Bank Czech Republic a.s.  
 SWIFT (BIC): BACXCZPP  
 Account No: 20130099/2700

IBAN: CZ492700000000020130099 CZK  
 CZ922700000000020130101 EUR  
 CZ422700000000020130128 USD